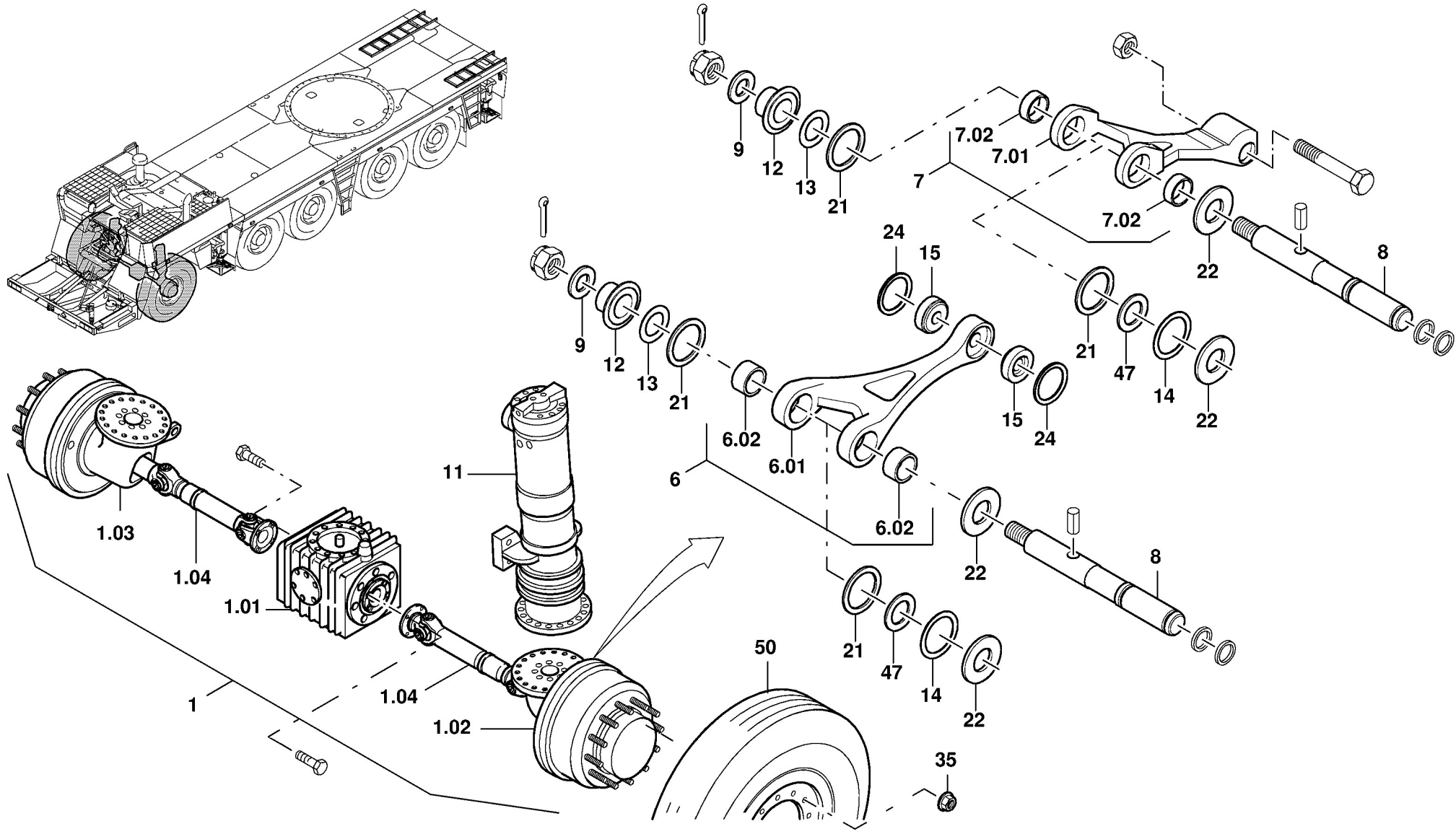




ACHSANBAU (10 X 8 X 10)
 AXLE ATTACHMENT (10 X 8 X 10)

BILDТАFЕL PICTORIAL DISPLAY		
11.02	3008674-ETL F	1/10

GMK 5200
BE 511
G 061

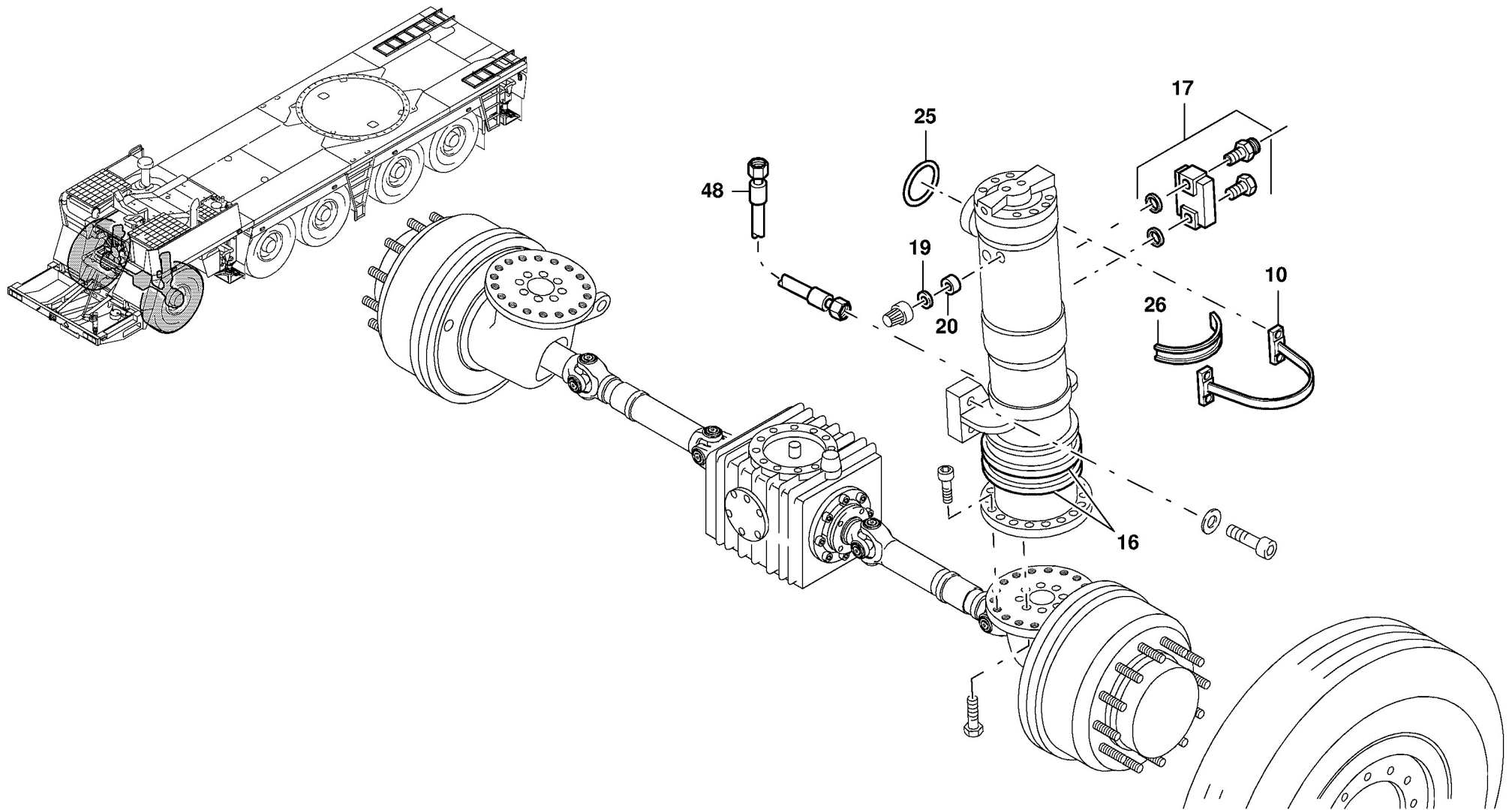


GROVEACHSANBAU (10 X 8 X 10)
AXLE ATTACHMENT (10 X 8 X 10)BILDТАFЕL
PICTORIAL DISPLAY

11.02

3008674-ETL F

2/10

GMK 5200
BE 511
G 061

GROVE

ACHSANBAU (10 X 8 X 10)
 AXLE ATTACHMENT (10 X 8 X 10)

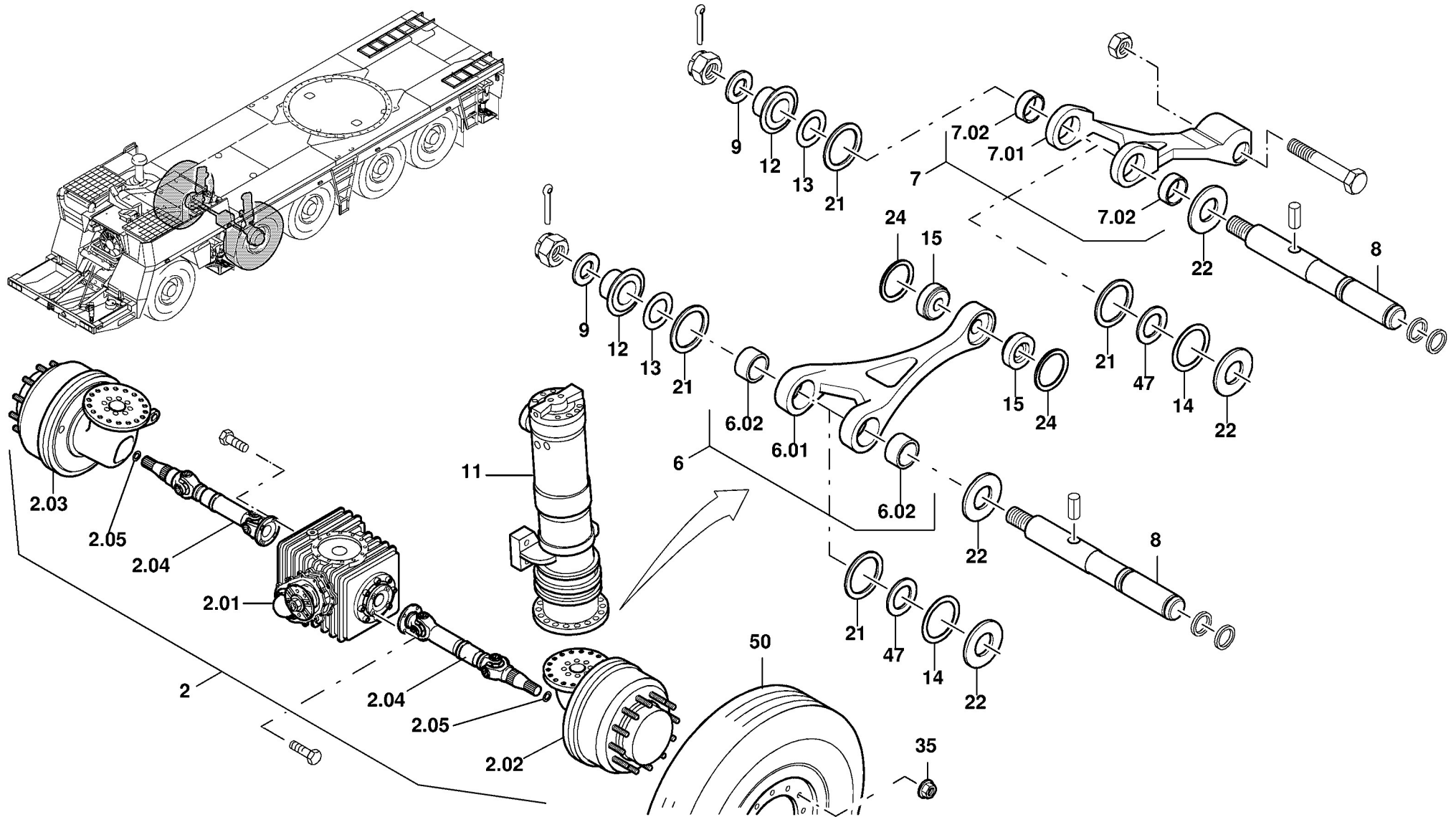
BILDTAFEL
 PICTORIAL DISPLAY

GMK 5200
BE 511
G 061

11.02

3008674-ETL F

3/10



GROVE

ACHSANBAU (10 X 8 X 10)
 AXLE ATTACHMENT (10 X 8 X 10)

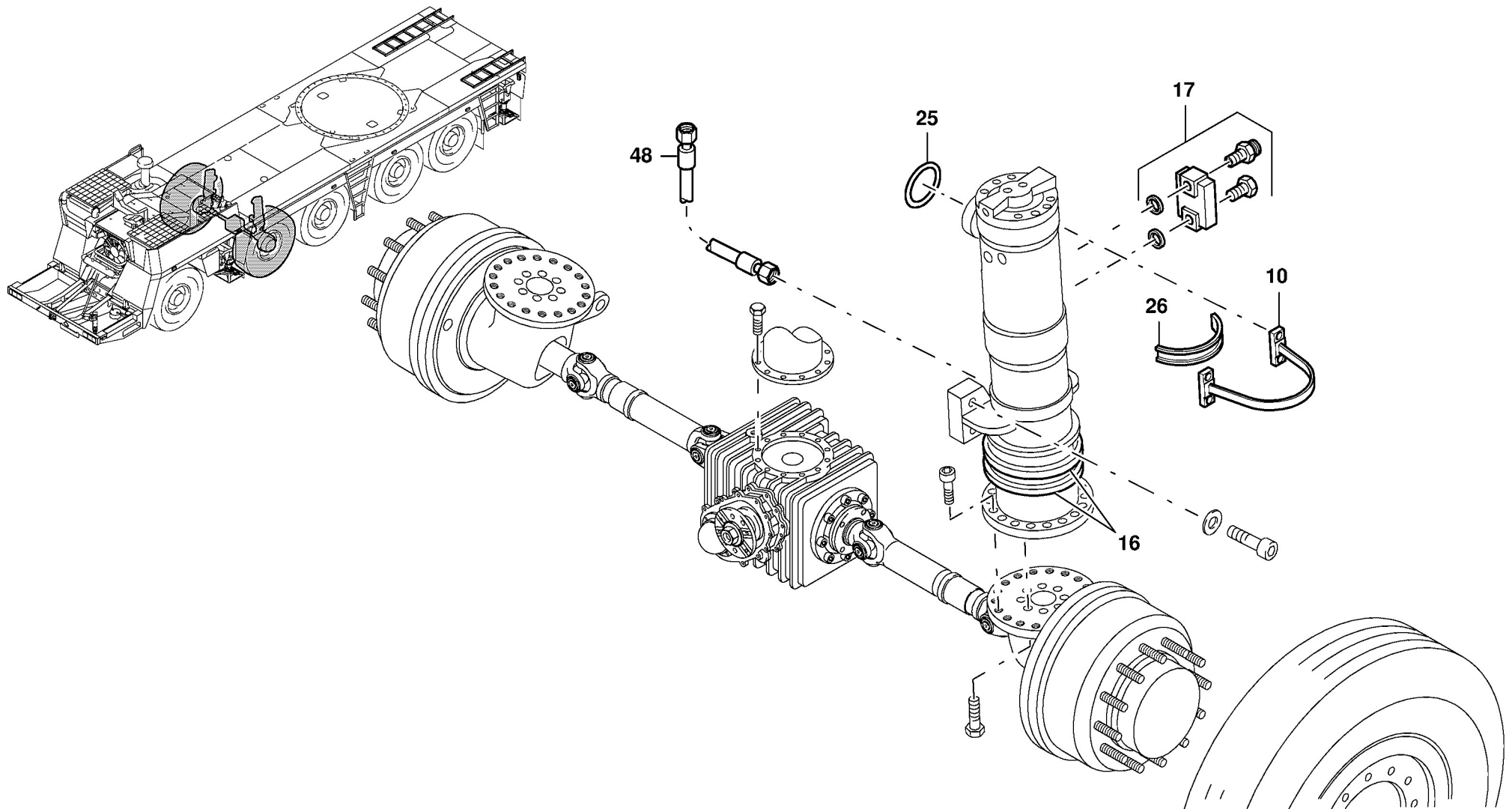
BILDTAFEL
 PICTORIAL DISPLAY

11.02

3008674-ETL F

4/10

GMK 5200
BE 511
G 061



GROVE

ACHSANBAU (10 X 8 X 10)
 AXLE ATTACHMENT (10 X 8 X 10)

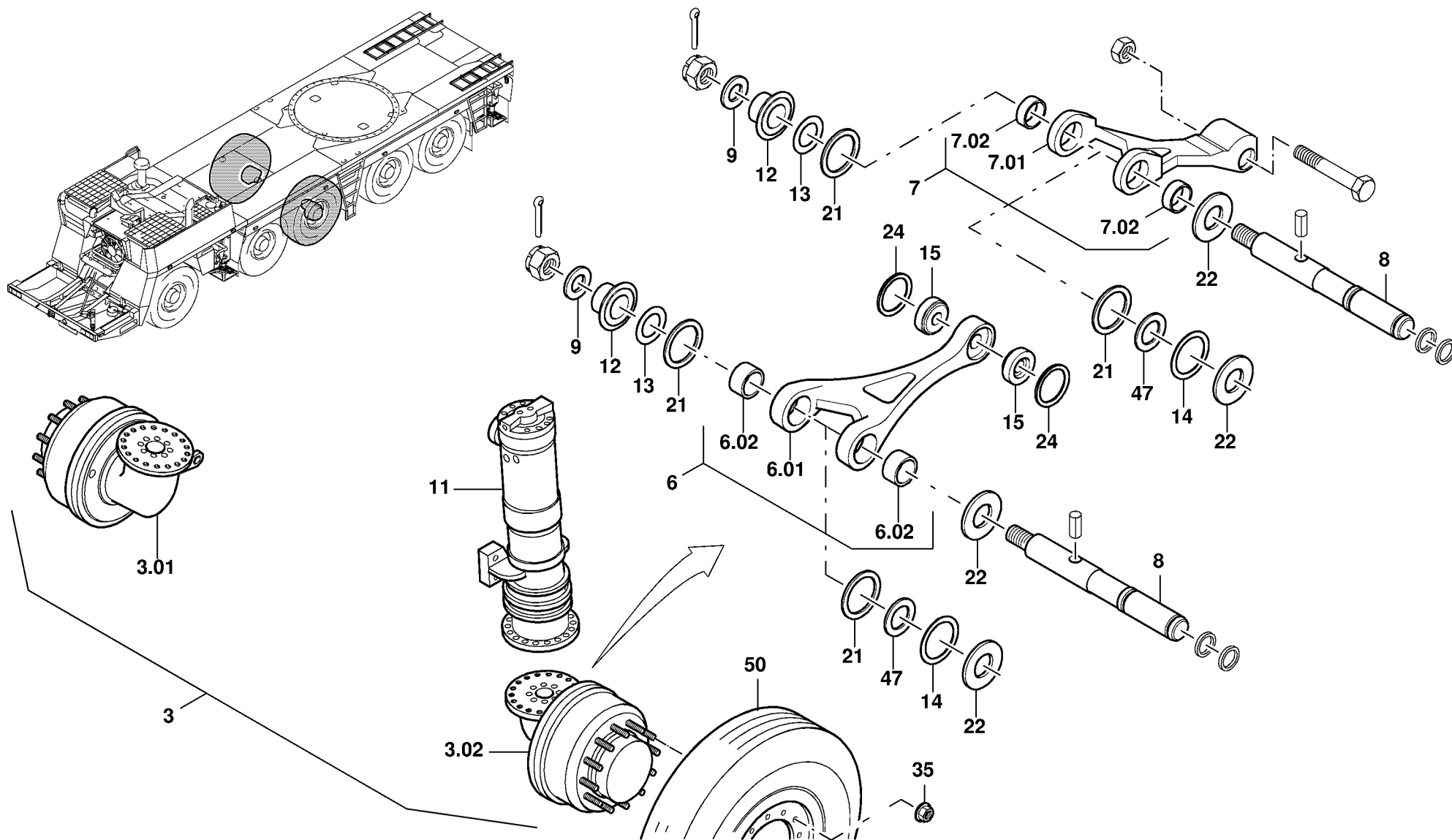
BILDТАФЕЛ
 PICTORIAL DISPLAY

11.02

3008674-ETL F

5/10

GMK 5200
BE 511
G 061

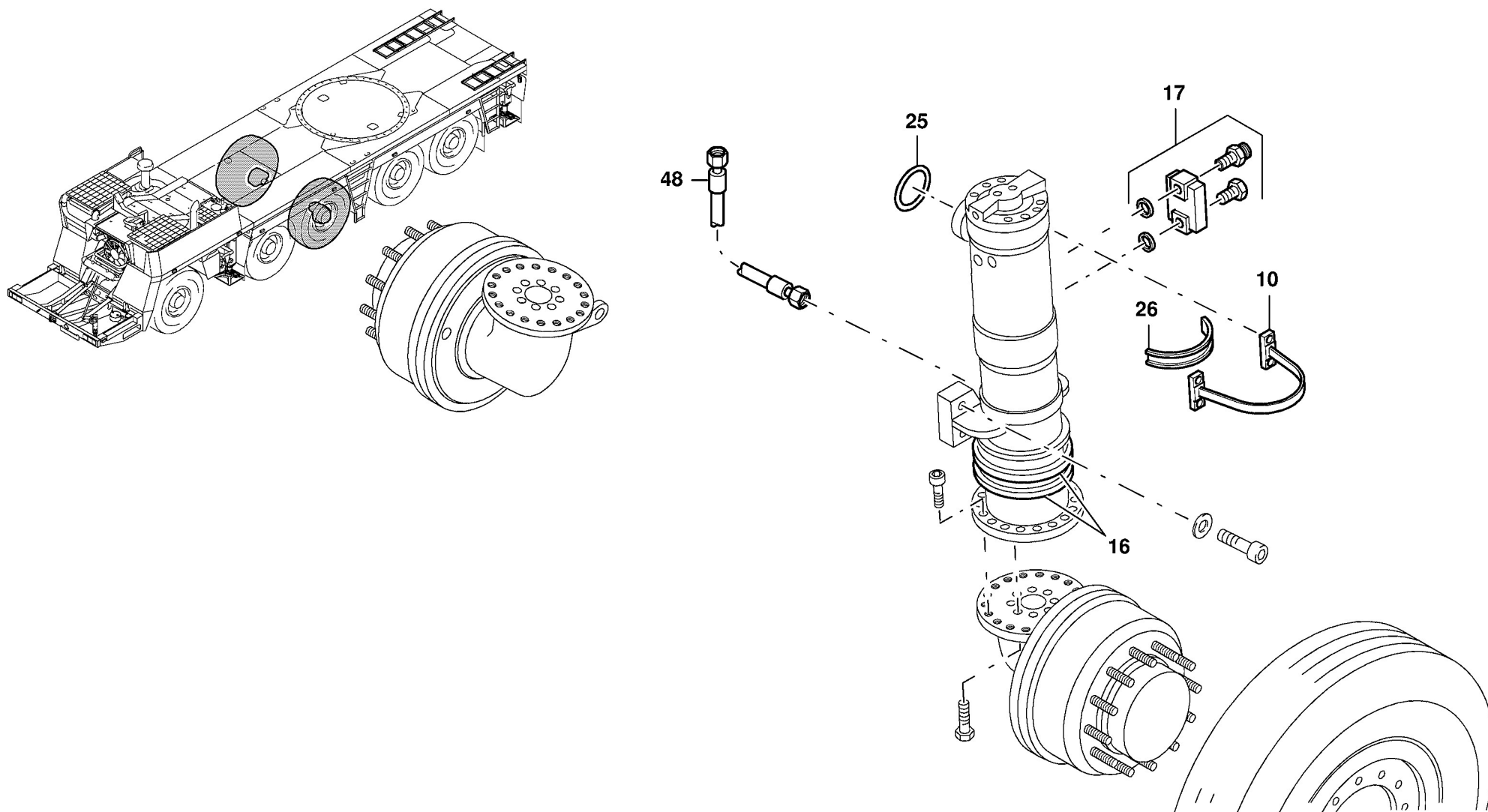


GROVEACHSANBAU (10 X 8 X 10)
AXLE ATTACHMENT (10 X 8 X 10)BILDTADEL
PICTORIAL DISPLAY

11.02

3008674-ETL F

6/10

GMK 5200
BE 511
G 061

GROVE

ACHSANBAU (10 X 8 X 10)
 AXLE ATTACHMENT (10 X 8 X 10)

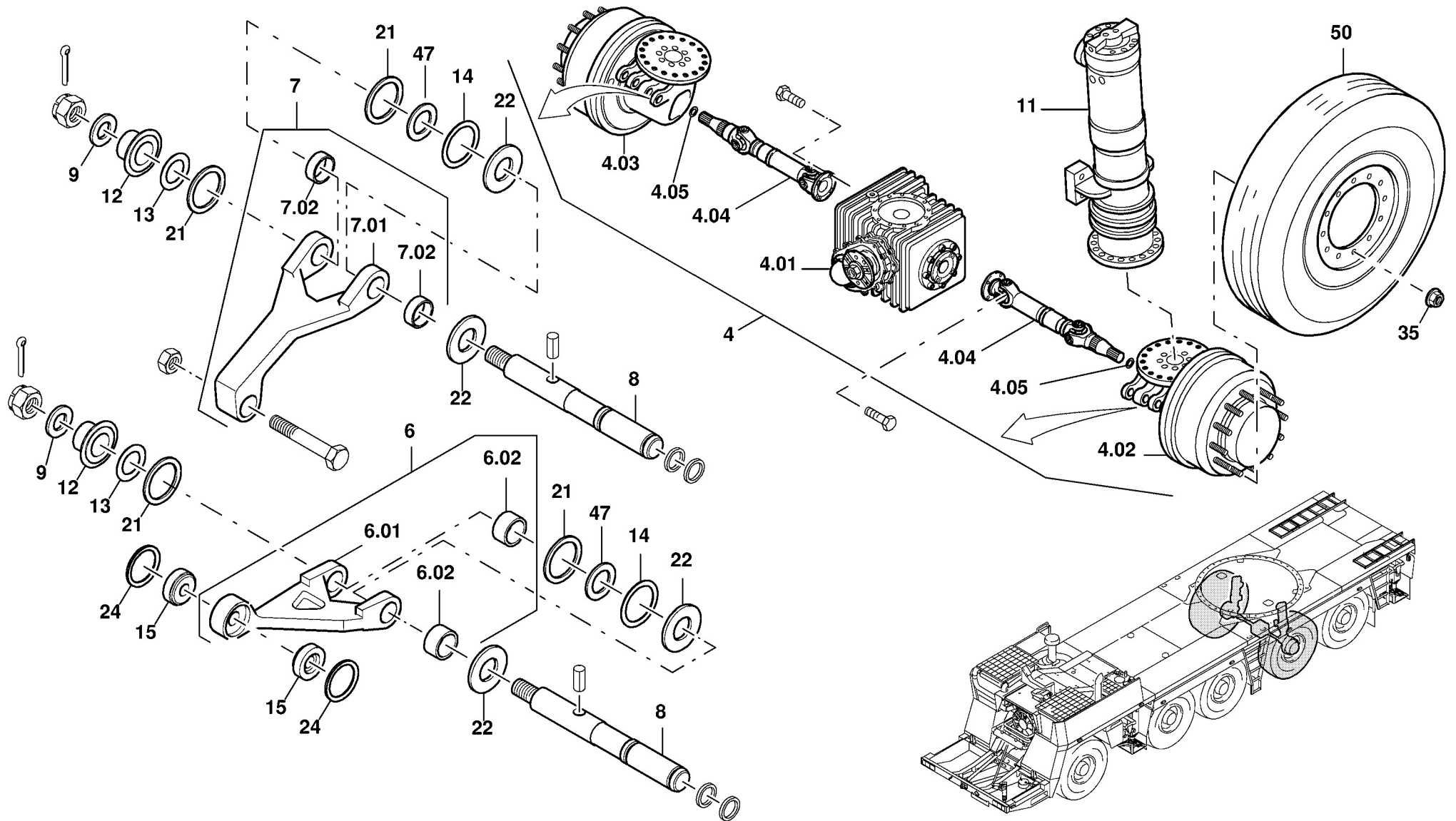
BILDТАФЕЛ
 PICTORIAL DISPLAY

GMK 5200
 BE 511
 G 061

11.02

3008674-ETL F

7/10



GROVE

ACHSANBAU (10 X 8 X 10)
 AXLE ATTACHMENT (10 X 8 X 10)

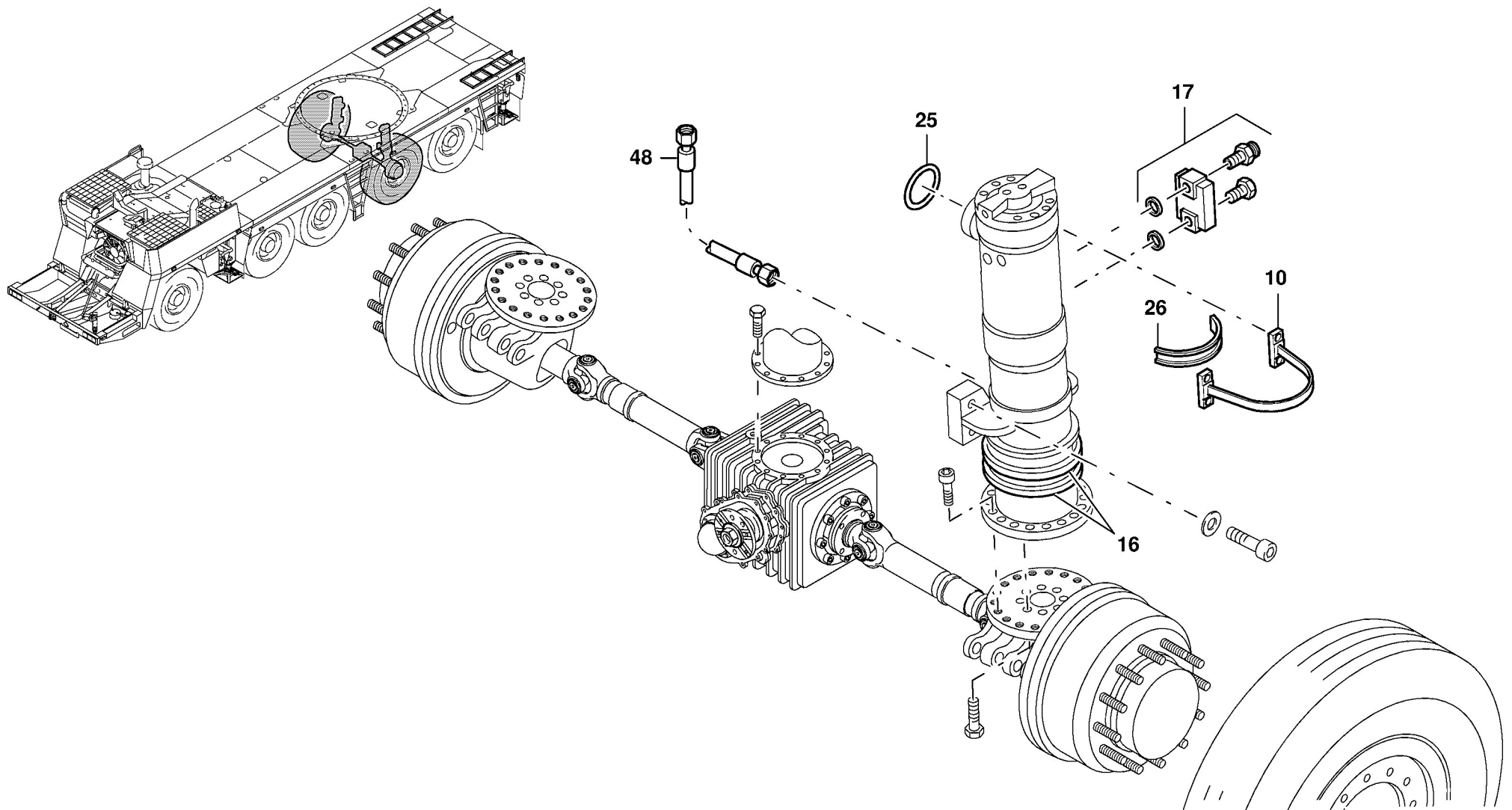
BILDTAFEL
 PICTORIAL DISPLAY

11.02

3008674-ETL F

8/10

GMK 5200
BE 511
G 061



GROVE

ACHSANBAU (10 X 8 X 10)
 AXLE ATTACHMENT (10 X 8 X 10)

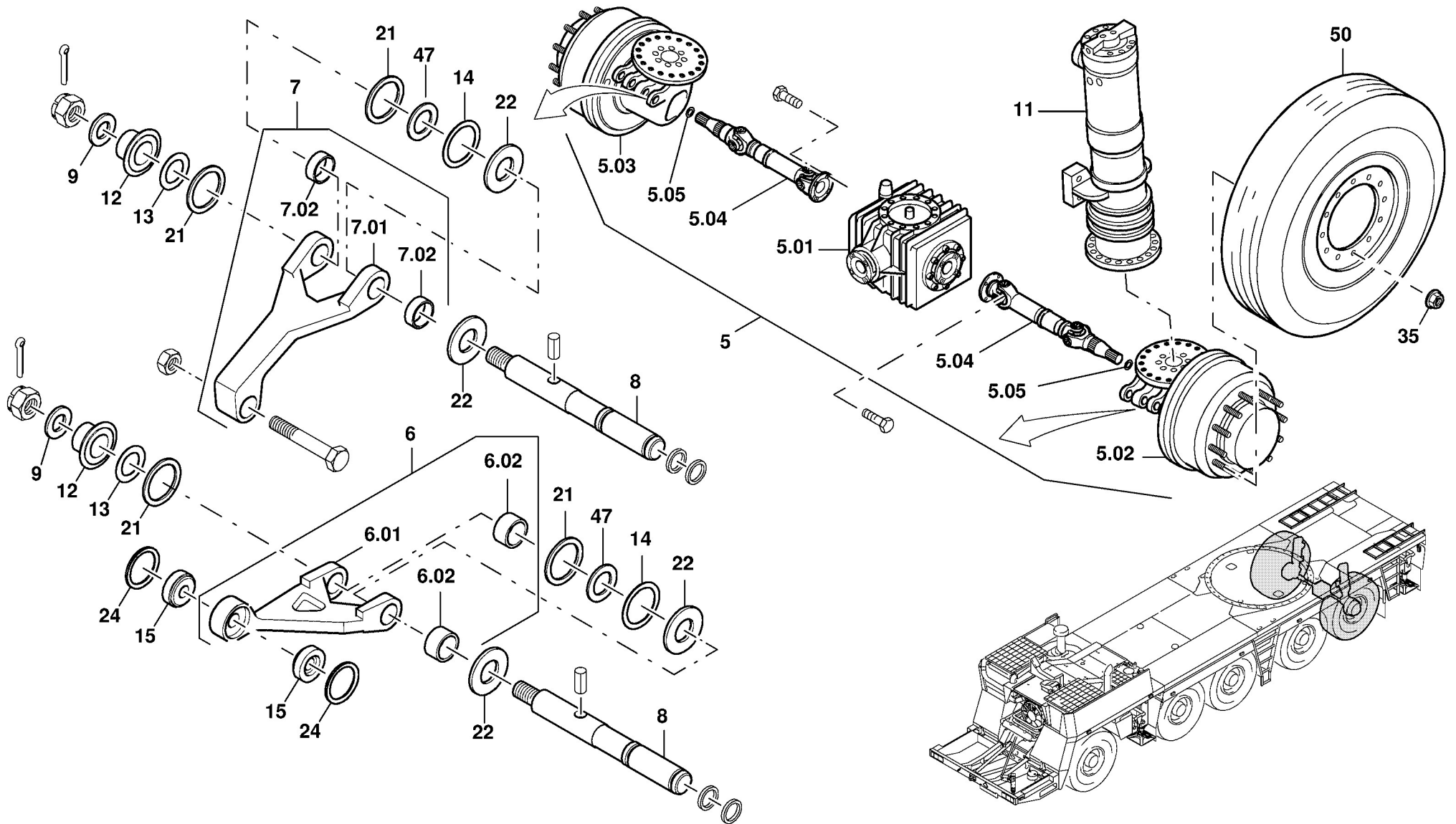
BILDTAFEL
 PICTORIAL DISPLAY

GMK 5200
 BE 511
 G 061

11.02

3008674-ETL F

9/10



GROVEACHSANBAU (10 X 8 X 10)
AXLE ATTACHMENT (10 X 8 X 10)BILDТАFЕL
PICTORIAL DISPLAY

11.02

3008674-ETL F

10/10

GMK 5200
BE 511
G 061